



GENUINE PARTS

INSTALLATION INSTRUCTIONS

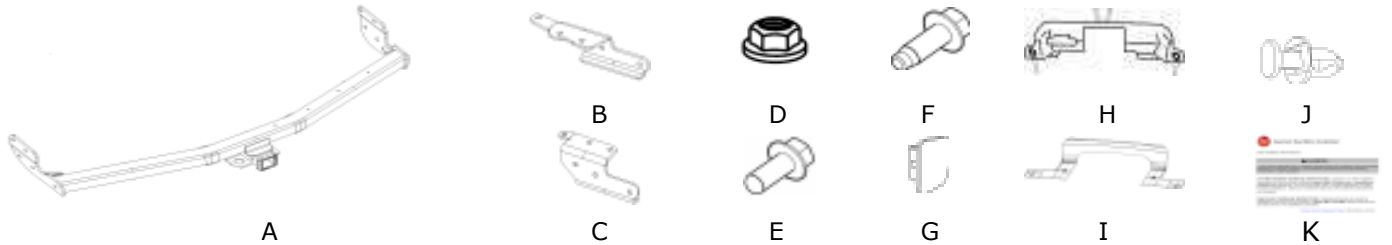
DESCRIPTION: Trailer Hitch Kit
APPLICATION: Quest
PART NUMBER: 999T5 NY010

Installation of this accessory requires installation of additional Part(s)

- WIRE HARNESS (999T8 NW000)
- BALL MOUNT KIT (999T5 CU020)
- CLASS II HITCH BALL (999T5 VT020)

CONTENTS:

Item	Qty.	Part Description	Service Part Number
A	1	HITCH	
B	1	LH BRACKET	
C	1	RH BRACKET	
D	4	NUT-FLG,HEX	12-25 N2011
E	4	BOLT-FLG	81-B4235-5M
F	12	BOLT-FLG, PILOT	81-B7235-2A
G	1	RECIEVER CAP	
H	1	RR FASCIA FINISHER	
I	1	CUTTING TEMPLATE	
J	2	CLIP	15-53 09321
K	1	Installation Instruction Replacement Template	



TOOLS REQUIRED:

- Safety Glasses
- Clip Removal Tool
- Tape
- Utility Knife
- Socket Wrench
- Drill
- 17mm Box Wrench
- 17 & 18 mm Sockets
- Alcohol
- 9" Extension
- Torque Wrench
- 19/64" Drill Bit

PRE-INSTALLATION WARNINGS, CAUTIONS, CRITICAL STEPS, and NOTES:

- Dealer Installation Recommended. Instructions may refer to Service Manual.

CAUTION

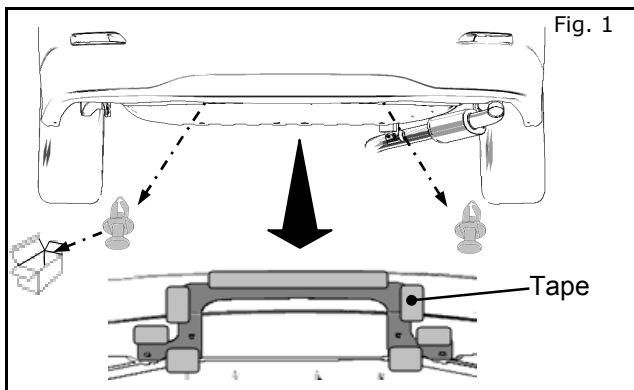
- Vehicle towing capacity may differ from hitch rating.
- See owners manual for vehicle towing rating
- Be careful of sharp edges under vehicle.
- Bolts must be tightened according to the specified torque values.
- Install the RR Fascia Finisher only when the part & vehicle temperature are between 60°F - 110°F (16°C - 43°C).
- Do not wash or expose the vehicle to a wet environment for 24 hours after installing the RR Fascia Finisher.

INSTALLATION PROCEDURE:

- 1) Clean vehicle thoroughly with soap and water to remove any dirt or debris and allow to dry.
- 2) Raise and secure vehicle on lift

CAUTION

- Ensure that vehicle tailgate is closed
- Exhaust may still be hot

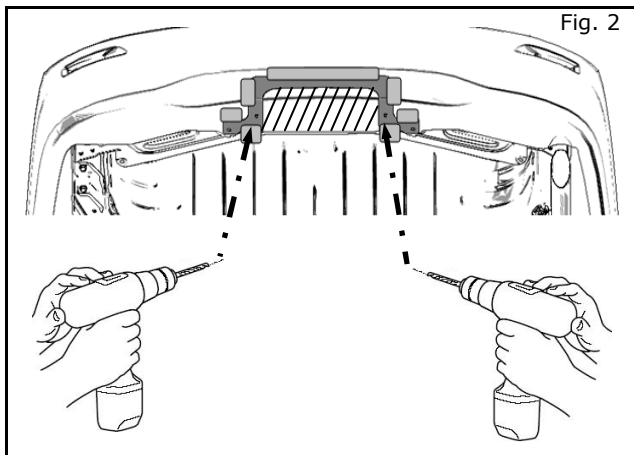


- 3) Locate cutting template on rear fascia
 - a) Remove clips & store in a safe place for use later
 - b) Locate cutting template on rear fascia aligning holes in template to holes in fascia
 - c) Secure outside edge of cutting template with tape as shown.

NOTE: Tape should hold cutting template securely to fascia. Any looseness can cause problems with rear fascia finisher fit.

CAUTION

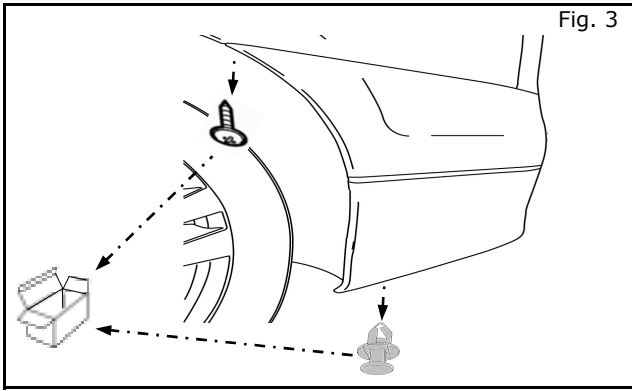
- Do not cut outside of cutting template



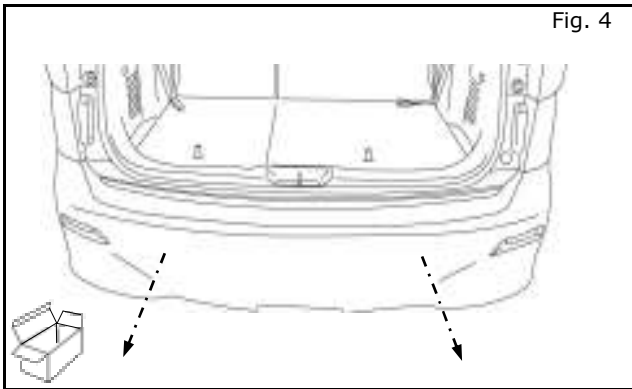
- 4) Trim Rear Fascia with cutting template
 - a) Drill 19/64" holes through cutting template at bosses
 - b) Cut cross-hatched area from rear fascia
 - c) Remove cutting template and tape from rear fascia
 - d) Clean edge of cut to remove any burr or flash

NOTE: Cut line on rear fascia should not have any sharp edges. Sharp edges have potential to damage tape liner on rear fascia finisher during part installation

INSTALLATION PROCEDURE:



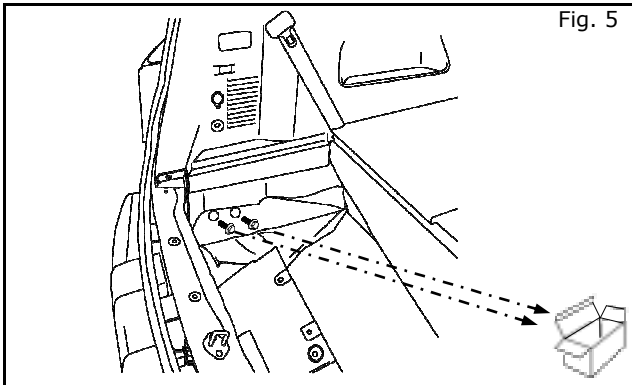
- 5) Remove Rear Fascia fasteners & store in a safe place for use later
 - a) Remove clip - Qty(1)
 - b) Remove screw - Qty(1)
 - c) Repeat for other side of vehicle.



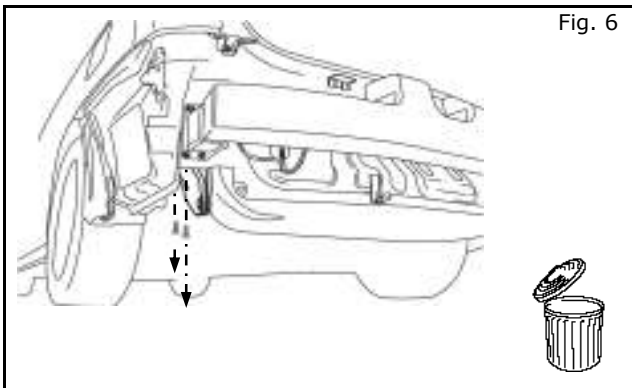
- 6) Remove Rear Fascia and store in a safe place

NOTE: Handle the rear fascia carefully to not scratch or damage either the vehicle or the rear fascia itself.

- 7) Start wire harness installation per 999T8 NW000 Installation Instructions

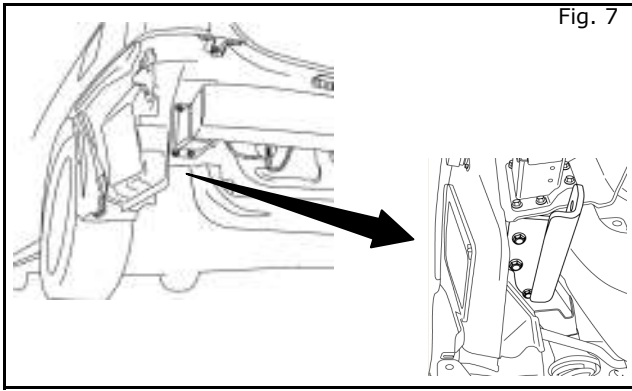


- 8) Remove Tow hook
 - a) Remove rubber plug under floor carpet - Qty(2) & store in a safe place for use later
 - b) Remove bolt & discard - Qty(2)
 - c) Repeat for other side of vehicle.

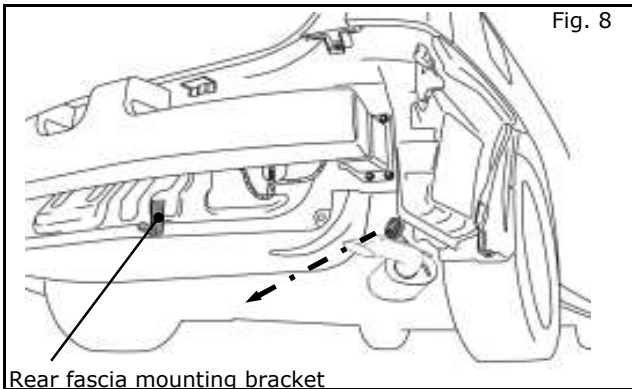


- 9) Remove Tow hook [continued]
 - a) Remove bolt & discard - Qty(2)
 - b) Discard Tow Hook

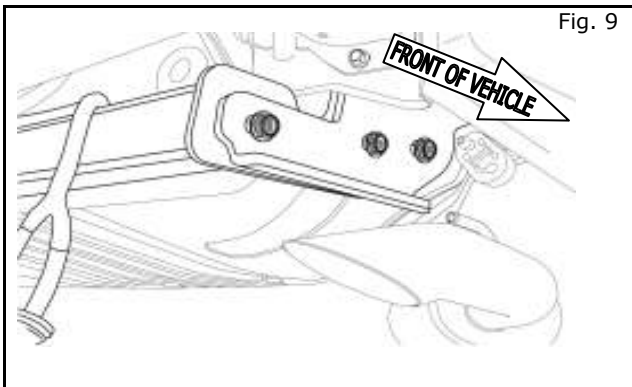
INSTALLATION PROCEDURE:



- 10) Install LH bracket
 - a) Loosely install center bolt (F) 3-4 threads only
 - b) Slide part onto bolt
 - c) Loosely install remaining 2 bolts (F) 3-4 threads only



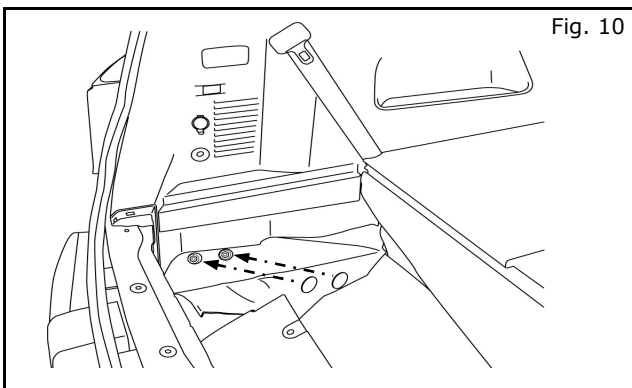
- 11) Remove exhaust hanger for additional clearance
- 12) Install RH bracket as shown in Figure 7
 - a) Loosely install center bolt (F) 3-4 threads only
 - b) Slide part onto bolt
 - c) Loosely install remaining 2 bolts (F) 3-4 threads only



- 13) Install Hitch
 - a) Rotate hitch into position with 2 people
 - b) Install vehicle rear most bolt & hand tighten
 - c) Install vehicle forward bolts (F) - Qty (2)
 - d) Install nuts (D) on vehicle forward bolts and hand tighten - Qty (2)
 - e) Repeat for other side of vehicle.
 - f) Hand tighten bolts installed in steps 9 & 10

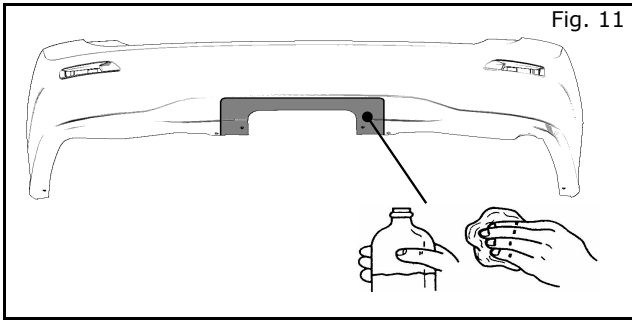
NOTE: If hitch will not fit, loosen bolts installed in steps 10 & 12 to allow for additional rotation of bracket.

NOTE: Be careful not to bend rear fascia mounting brackets shown in Fig 8.



- 14) Lower vehicle and install interior bolts
 - a) Install bolts (E) on LH side of vehicle - Qty (2)
 - b) Tighten fasteners to 110-150N*m [81-111 ft*lb]
 - c) Repeat for other side of vehicle.
 - d) Install rubber plug - Qty (4) removed in step 8.
- 15) Raise vehicle and tighten exterior bolts shown in Fig 7 & Fig 9.
 - a) Tighten Fasteners to 110-150 N*m [81-111 ft*lb] - Qty (12)
- 16) Reinstall exhaust hanger removed in step 10

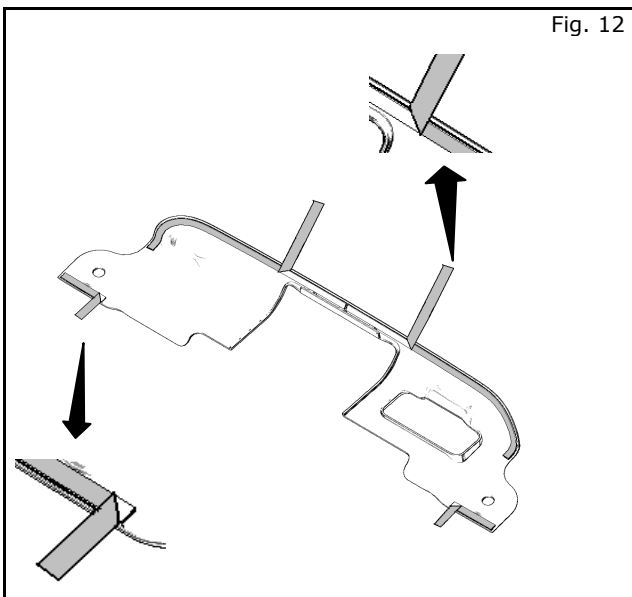
INSTALLATION PROCEDURE:



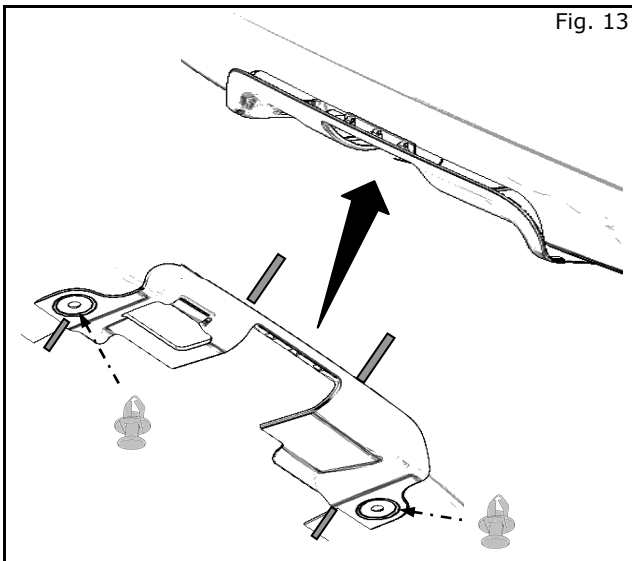
- 17) Clean rear fascia with alcohol

⚠ CAUTION

- Failure to clean the mounting surface properly may cause the adhesive tape to have poor adhesion to the vehicle.

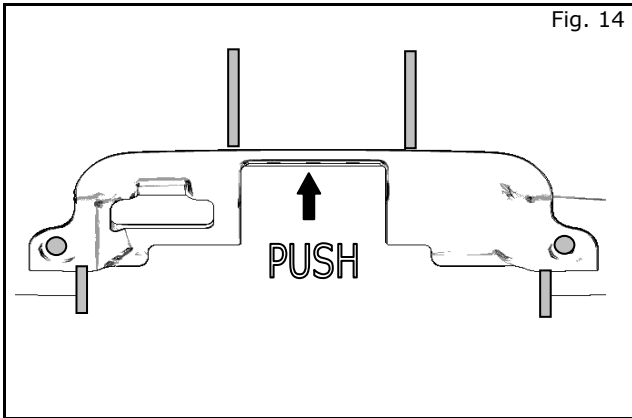


- 18) Fold rear fascia finisher tape liners prior to part installation
- a) Upper liners to be peeled back past cut out in part and folded
 - b) Lower liners to be folded back only



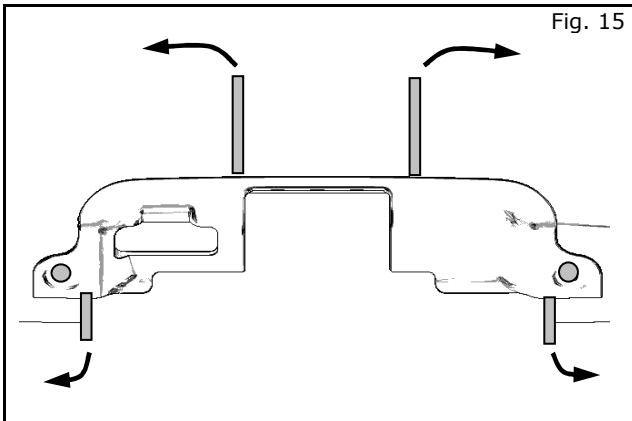
- 19) Install Finisher to Fascia
- a) Locate rear fascia finisher to rear fascia leaving gap at top center
 - b) Install clips

INSTALLATION PROCEDURE:

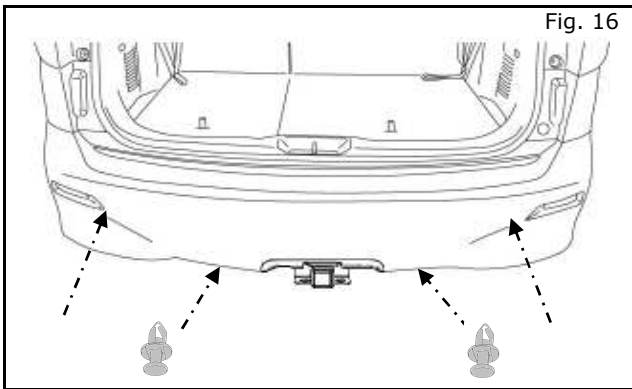


- 20) Push center of rear fascia finsher onto fascia.

NOTE: Confirm finisher fits evenly by inspecting from back side of fascia prior to moving to next step



- 21) Install Finisher to Fascia
- Removing both top pull tabs
 - Using a clean lint-free cloth, start at the center and apply 15 lbs of force along the tape path.
 - Remove both lower pull tabs
 - To ensure adequate adhesion, re-apply 15 lbs of force across all tape locations.



- 22) Reinstall rear fascia
- 23) Reinstall bottom clips removed in step 3.
- 24) Reinstall fasteners removed in step 5.
- 25) Do not expose vehicle to moisture for 24 hours.
- 26) Resume wire harness installation per 999T8 NW000 Installation Instructions